



CSG 420 R.



2 x 4 kW burners.

- 2 x 4 kW burners under cast iron pan supports.
- Thermocouple safety.

CSG 410 UR

W 400 - D 650 - H 300



GR 2.

Griddle Plate.

- This ribbed plate is made of heavy-duty enamelled cast-iron and sits over a pair of high power burners. They offer a large variety of uses on CMG 420 R and CMG 840 units.

GR 2.

510 x 260



GL 2.

Flat Griddle plate.

- This enamelled cast-iron plate sits on the standard pan support over a pair of gas burners. They offer a large variety of uses on CMG 420 R and CMG 840 units.

GL 2.

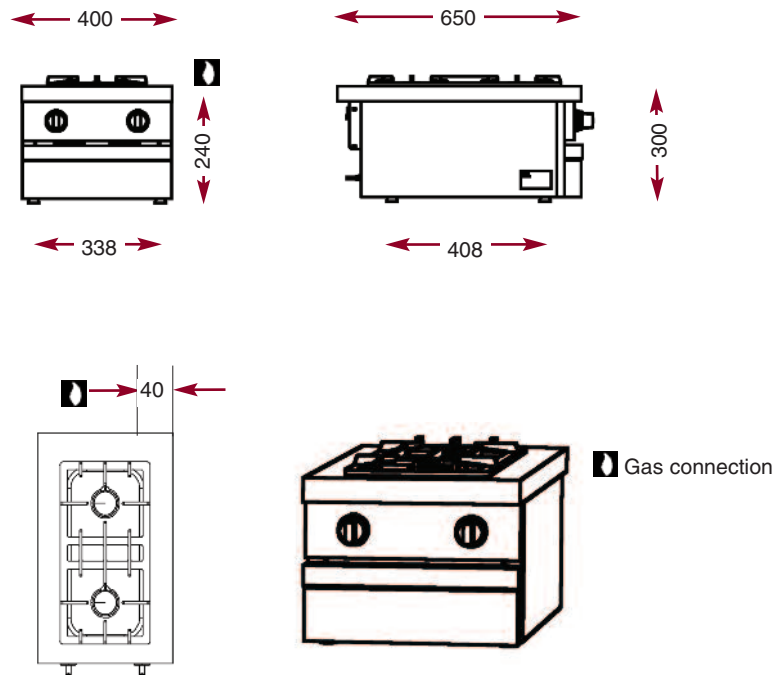
500 x 210

N° 84 - 1

For the supports, see the list on the back

AMBASSADE
DE BOURGOGNE

The Chef's Choice.



The modules have the same features and performances as the cupboard units. They are designed to be fixed onto tubular steel supports but can also be installed on stainless steel or tiled worktops.

Tubular stainless steel supports for the modules. (All the supports are made of Ø 60mm stainless steel tubes and are fitted with a stainless steel shelf and height adjustable feet).

Ref.	Dimensions
SSK 400	W 400 - D 540 - H 600
SSK 600	W 600 - D 540 - H 600
SSK 700	W 700 - D 540 - H 600
SSK 800	W 800 - D 540 - H 600
SSK 1000	W 1000 - D 540 - H 600
SSK 1100	W 1100 - D 540 - H 600
SSK 1200	W 1200 - D 540 - H 600
SSK 1300	W 1300 - D 540 - H 600
SSK 1400	W 1400 - D 540 - H 600
SSK 1500	W 1500 - D 540 - H 600
SSK 1600	W 1600 - D 540 - H 600



The Chef's Choice.